



HOME GUARD Mk 2

A budget priced safe for domestic use

The compact Guardian Home Guard Mk 2 is a traditional robust steel safe designed specifically for domestic use. Although only manufactured in one size, it has features usually found in larger, commercial quality safes.

The Guardian Home Guard Mk 2 Safe combines a high standard of protection with excellent economy.

Insurance ratings:

£3,000 cash*
£30,000 valuables*

*Guideline only, please check with your insurance company



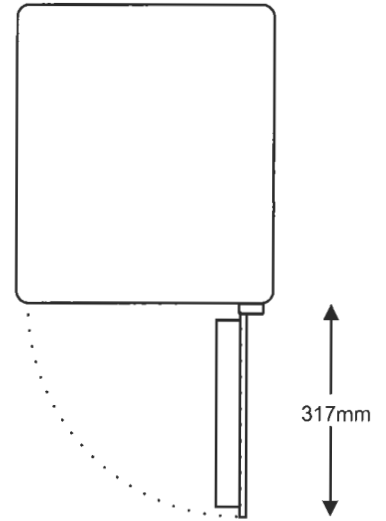
Guardian Home Guard Safe Mk2

Although compact, the Home Guard Mk2 has features usually found in much larger safes including cyanide hardened plates over vital locking areas and an 'anti explosive device' engaging every time the safe is locked. The body has a solid infill of fire and thief resistant material. A 50mm thief and fire resistant body is combined with a solid steel door. Additional fire resistance is provided by a heat activated door seal. The safe is ready for bolting down to a solid or wooden floor.

Technical data		
Outside dimensions (mm)	Height	380
	Width	328
	Depth*	359
Inside dimensions (mm)	Height	280
	Width	228
	Depth*	222
	Weight (approx. kg)	83
	Volume (approx. litres)	14.5

*Allow an additional 65mm to clear hinges and bolt thrower handle

Every effort has been made to ensure that the information contained in this leaflet was correct at the time of going to press. However, the company has the right to change any specification without notice, in line with a policy of continual product development.



Locking

The Guardian Home Guard Mk2 Safe is secured by a high quality, 7 lever safe lock with two keys. Optional locking includes a mechanical combination lock or a convenient digital electronic lock.



Guardian Safes Distributor

Company stamp/address